

AQUATANK®

securing water • for healthy living

Complete Rainwater Harvesting Solution



AQUATANK COMPLETE RAINWATER HARVESTING SOLUTION

AQUATANK for above ground stationary use is made with a new unique, nestable design by rotational moulding

All over Eastern and Central Africa, there are two rainy seasons with well dispersed rain. Every home or institution has a roof and it can be used to harvest rainwater. Thatched roof should, however, be covered by a polythene or GI sheet to avoid discoloration of water

Key benefits of AQUATANK rainwater harvesting solution are :

- β Simple, effective and inexpensive
- β >30 years' expected lifespan through effective stabilization of polyethylene against the harmful effect of sunlight. This is achieved by incorporating >2.3% carbon black into polyethylene by melt compounding process and use of carbon black masterbatch
- β Made of food grade polyethylene approved by Food and Drugs Administration of USA, safe for storage of water, rust-free and inert with no impact on the taste of water
- β Aquatank solution is the complete "Do-it-yourself" rainwater harvesting solution for easy and low cost installation in any homestead. It can also be supplied with our patented sieve, downpipes, outlet and overflow fittings, tap and plastic gutter of 3 meters length
- β Full top opening to enable easier cleaning
- β Nestable for easy, low cost transportation enabling wider distribution, even to remote areas
- β Low height to enable rainwater harvesting
- β Maintenance-free, Tank base is made with wall of brick, stone or blocks filled with fine soil and topped with sieved sand - see figure 2
- β Very strong due to its unique corrugated design
- β One-piece moulding with no joints and, therefore, leak-proof
- β Water remains protected because inside of AQUATANK is also made of compounded polyethylene

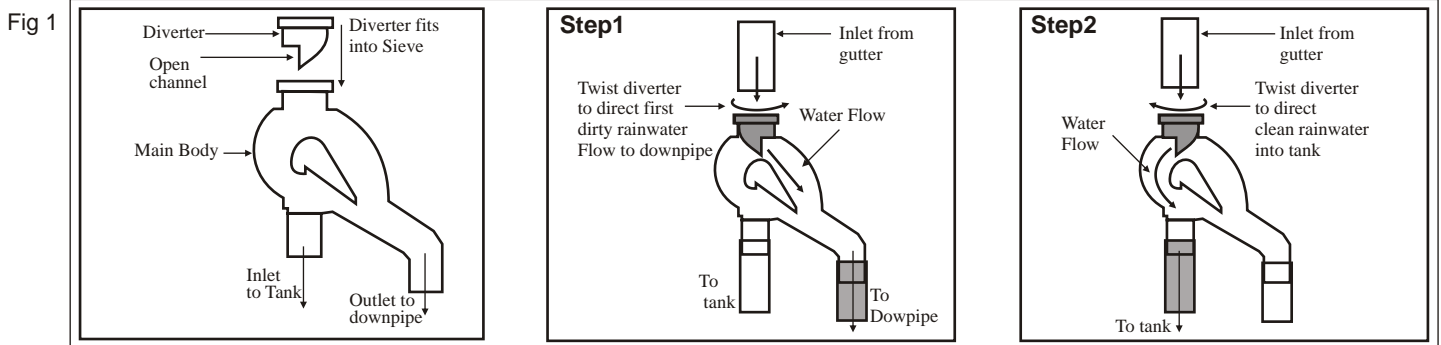
βX1tM·İ ċ*β·Eú]ë βÿØBøÐ...^7iW°ýKd.TM±êM
 β²Çø-ÃûÔ%óbÍÿ~á°k βÿØB~3-oÔ‡`î£
 βL%ÿ~· βÿØB!|è
 βw,e="äOgÑ β)P»"I-.,]Ä+~ùÔ‡<ÿØ
 βw,e="äO²<Ä'Ü? βdİ2YÄÜ²<

PATENTED SIEVE



- Easy diversion of first rains
- Sieves all water
- Made from Polyethylene
- Hygienic
- Easy to clean
- No rust
- No maintenance

Using our Patented Sieve



AquaSanTec® Group Companies www.aquasantec.com

AST KENTAINERS Ltd. Nairobi Kenya
 Tel: 254 020 251 9098 / 251 9099
 Fax: 254 (020) 476 5585
info@kentainers.co.ke www.aquasantec.com

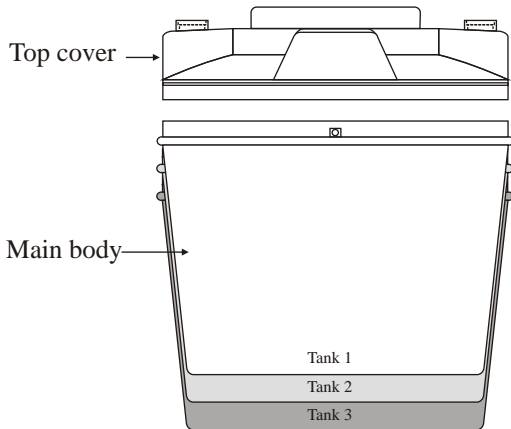
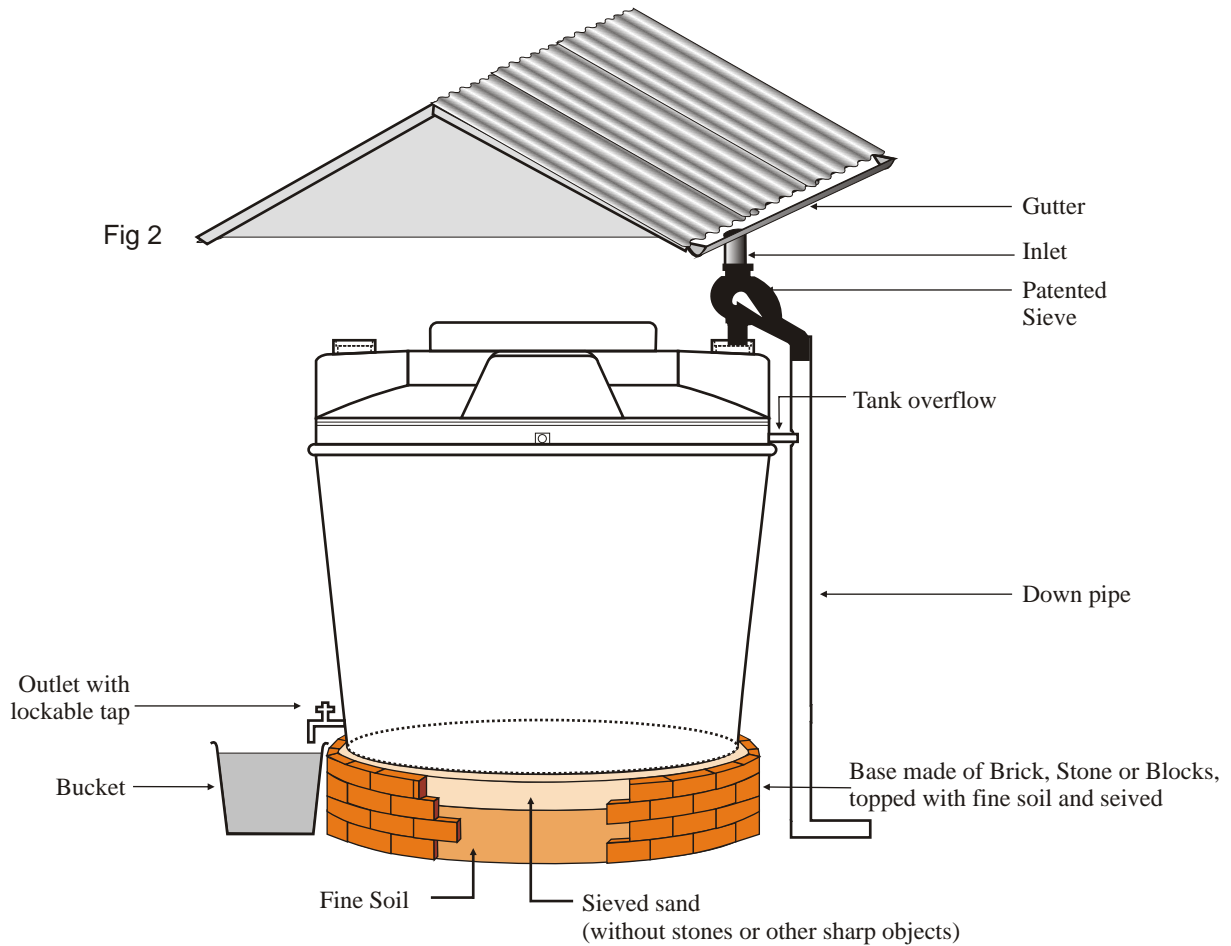
AST CRESTANKS Ltd. Kampala Uganda
 Tel: +256 041 4 235 470, 348 973, 031 2 262 015/6
 Mobile: 0772 720 560 Fax: 0414 234 184
info@crestanks.co.ug www.aquasantec.com

AST AQUASAN Ltd. Kigali Rwanda
 Mobile: +250 788 380 855, 788 307 833
aquasanrw@gmail.com
www.Aquasantec.com

AST AQUASAN s.a. Bujumbura Burundi
 Tel (Fixe): +257 295 5158,
 Portable: +250 788 307 833
aquasanbri@yahoo.com www.aquasantec.com

AST AQUASAN Juba South Sudan
 Mobile nos: Gemtel +211 0 977106550
aquasan_ssjuba@yahoo.com
www.aquasantec.com

The Complete Rainwater Harvesting Solution



TANK SIZES AND CAPACITIES IN cm

| CODE | TOP DIAMETER | BOTTOM DIAMETER | MAX HEIGHT | CAPACITY IN LITRES |
|---------|--------------|-----------------|------------|--------------------|
| AQ 50 | 114.0 | 103.0 | 61.0 | 500 |
| AQ 100 | 144.5 | 130.0 | 74.0 | 1000 |
| AQ 230 | 178.0 | 155.0 | 113.0 | 2300 |
| AQ 350 | 211.0 | 185.0 | 121.5 | 3500 |
| AQ 500 | 224.0 | 207.0 | 171.0 | 5000 |
| AQ 800 | 270.0 | 250.0 | 160.5 | 8000 |
| AQ 1000 | 320.0 | 300.0 | 140.0 | 10000 |

Following accessories and components can be purchased with AQUATANK and their recommended sizes are:

| Tank | Gutter 5" | Gutter Pal 4" | Inlet | Outlet | Lockable Tap | Overflow | Downpipe 4" |
|---------|-----------|---------------|-------|--------|--------------|----------|-------------|
| AQ 50 | 1.5M | X | 1/2" | 1/2" | 1/2" | 1" | X |
| AQ 100 | 1.5M | X | 1/2" | 1/2" | 1/2" | 1" | X |
| AQ 230 | 3.0M | ✓ | 3/4" | 3/4" | 3/4" | 1" | 3M |
| AQ 350 | 3.0M | ✓ | 3/4" | 3/4" | 3/4" | 1" | 3M |
| AQ 460 | 3.0M | ✓ | 3/4" | 3/4" | 3/4" | 2" | 3M |
| AQ 600 | 3.0M | ✓ | 3/4" | 3/4" | 3/4" | 2" | 3M |
| AQ 800 | 3.0M | ✓ | 3/4" | 3/4" | 3/4" | 2" | 3M |
| AQ 1000 | 4.5M | ✓ | 3/4" | 3/4" | 3/4" | 2" | 3M |

This solution is only available from Kentainers Limited and appointed its agents.

AQUATANK The Complete Rainwater Harvesting Solution